

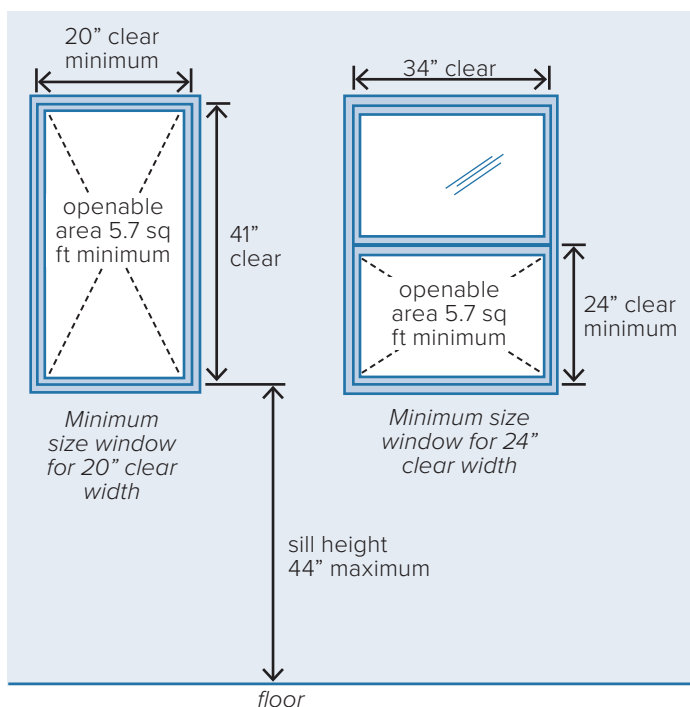
# ESCAPE WINDOWS

## Size & Location

As required by State Code, an emergency egress window is required in every sleeping room and in all basement dwelling units. These egress windows must have:

- a minimum clear openable width of 20 inches
- a minimum clear openable height of 24 inches
- a minimum clear openable area of 5.7 square feet\*
- a finished sill height that is not more than 44 inches above the finished floor

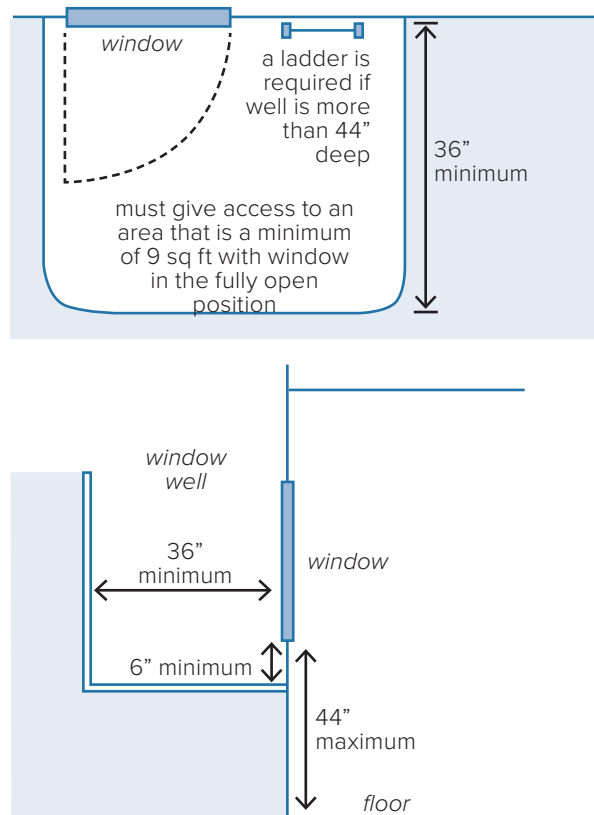
\* To obtain the 5.7-square-foot openable area, one or both of the dimensions must be increased.



## Window Wells

If the emergency escape window opening is below grade, a window well must be installed on the outside of the building. The window well must:

- be a minimum of 36 inches wide and give access to an area that is a minimum of nine square feet with window fully open
- have a minimum 6-inch drop from the window sill to the ground
- include a ladder if the well is more than 44 inches deep



## THREE INSPECTION MUSTS

- 1. Post** the inspection report card or summary sheet on the job site until the final inspection is completed.
- 2. Notify** Inspections when the installation is completed.

- 3. Schedule** a final inspection at least 24 hours in advance (please have your permit number available).

**You can reach the Inspections Department between 8 am and 4:30 pm at 763-593-8090.**

